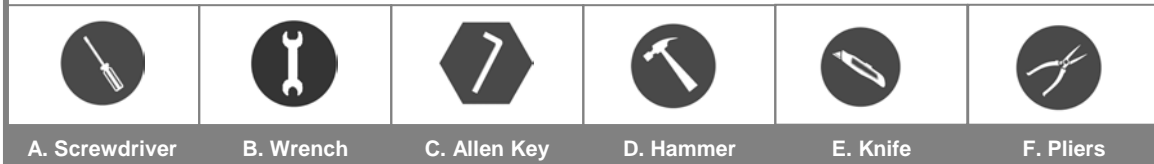
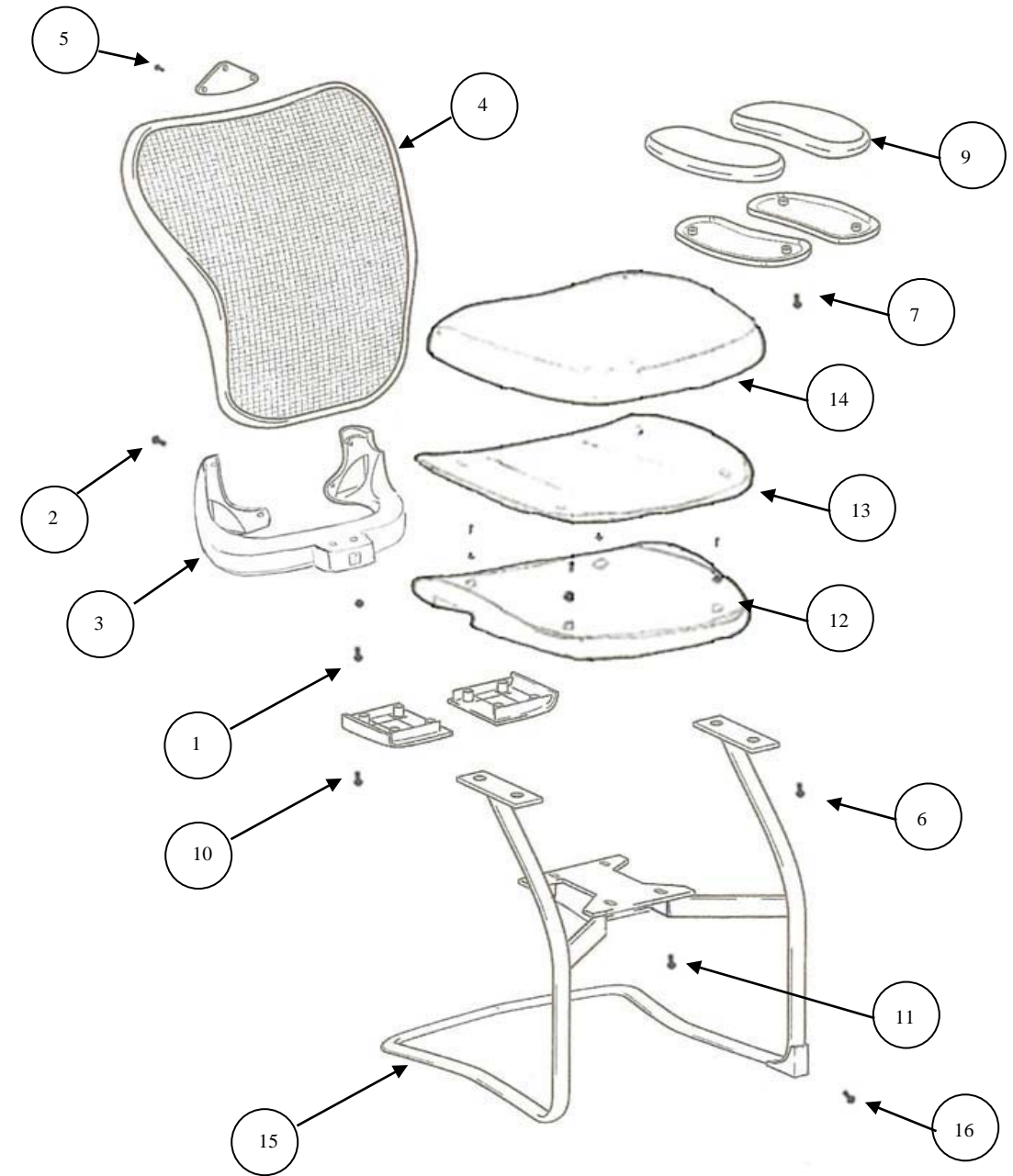


****Items are listed in suggested order of disassembly – Estimated time required – 15 minutes**

STEP	DESCRIPTION	QTY	MATERIAL(S)		TOOL	PROCEDURE
1	Back Connector Bolt	2	Steel	Y	B	Using a wrench, remove the nuts securing the back connector on the top side of the frame, then the bolts on the bottom side of the frame
2	Back Connector to Back Bolt	4	Steel	Y	C	Using an Allen Key, remove the 4 bolts which attach the back connector to the back
3	Back Connector	1	Plastic (GFN) ♻️ (7)	Y	NA	Recycle
4	Back	1	Plastic (Nylon and ABS) * ♻️ (7)	Y	A, C	Remove Allen Bolts on the rear of back to separate inner and outer components. Use a screwdriver to remove the mesh and clips from the inner back
5	Logo	1	Plastic (GFN) ♻️ (7)	Y	C	Remove 3 bolts holding logo onto back
6	Arm Bolts	4	Steel	Y	A	Remove the bolts attaching the arm pads to arm
7	Arm Pad Bolts	4	Steel	Y	A	Remove the bolts holding arms to arm pads
9	Arm Pad	2	PU and Steel *	Y	NA	
10	Seat Arm Covers	2	Plastic (GFN) ♻️ (7)	Y	A	Using a screwdriver remove the bolts securing plastic arm covers on bottom of seat
11	Seat Bolts	4	Steel	Y	A	Remove the 4 bolts securing seat to steel frame
12	Outer Seat	1	Plastic (GFN) ♻️ (7)	Y	A	Using a screwdriver, pry inner and outer seat apart
13	Inner Seat	1	Plastic (PP) ♻️ (5)	Y	E, F	Cut upholstery from seat plastic using knife and remove staples using pliers
14	Seat Foam	1	PU Foam	Y	E	Cut or steam seat foam from plastic seat
15	Steel Frame	1	Steel	Y	A	Remove plastic snap in glides from bottom of frame using screwdriver
16	Anti-Tip Glide	2	Plastic ♻️ (5)	Y	A	Remove screws securing glide to metal frame

* part is comprised of co-mingled materials. Contact your recycling facility



Caution
 Proper safety equipment should be worn when attempting to disassemble any Nightingale product. Dependent on state of wear, products may have exposed sharp edges. Nightingale accepts no responsibility for any damage, accident or injury which may occur during disassembly. For further assistance, please contact Customer Service at Nightingale 1-800-363-8954